

ASSEMBLY INSTRUCTION FOR soni PORTA

1.

To the assembly video on YouTube:



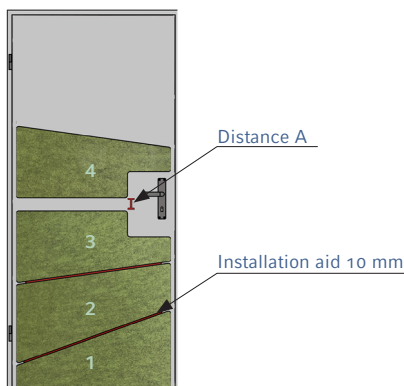
Before applying the sound insulation elements, please make sure that the side of the door to be covered is free of dust, grease and other release agents. Please refer to the "Cleaning of the supporting surface" section of our processing and storage instructions.

Important: After cleaning, the door must be left to air for 30 minutes, otherwise the panels will not stick securely.

Tip:

For an easy and smooth installation process, we recommend laying out the **soni PORTA** elements in the correct order on the floor or table before actual mounting.

2.



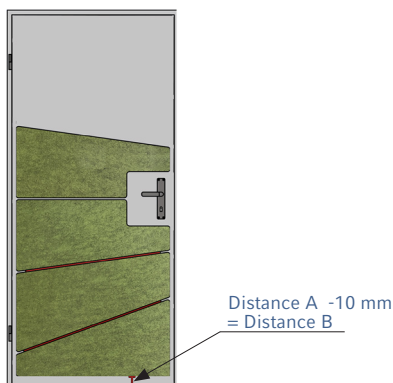
Stack the bottom three elements on the floor, leaning them against the door without sticking them on. Place assembly aids (marked red on the picture) between the individual panels.

Now take the fourth panel and hold it up to the door to determine the right position: The cutout must be centered on the door handle.

Now measure the specific distance A between the third and fourth element and subtract 10 mm for the mounting aid.

This gives you distance B.

3.



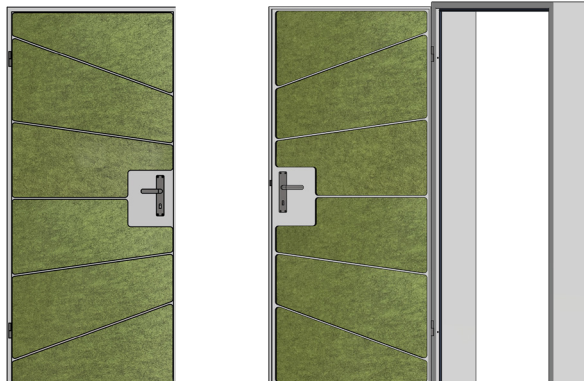
This distance B is your starting height from the floor.

To attach the first panel, peel off the protective film on the back of the element.

Position the panel at the measured height, taking care to center it on the door, then press it to the surface evenly and firmly.

Now place the installation aid on the upper edge of the already fitted panel and then position the next panel (after removing the protective film) above it, taking care to center it. Press firmly to fix the panel to the door surface. Repeat this step for the other insulation panels.

4.



soni PORTA outside of door

soni PORTA inside of door

For an optimum acoustic effect, all insulation elements must be pressed firmly into place. The final adhesive strength (100%) is reached after 24 hours.

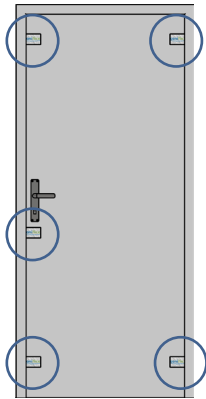
Please note:

Our **soni PORTA** door insulation panels can be removed again easily. To do this, simply lift one corner of the heavy layer and then peel off the entire panel.

However, it is then no longer possible to reattach the panel.

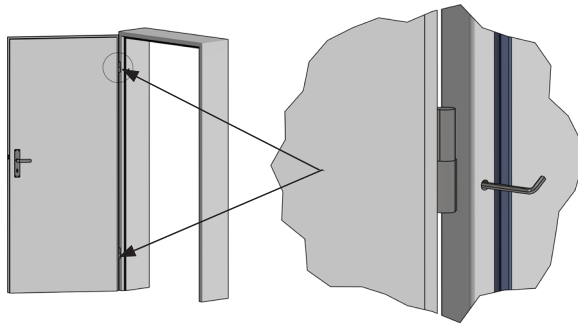
DOOR ADJUSTMENT prior to the installation of soni PORTA

1.



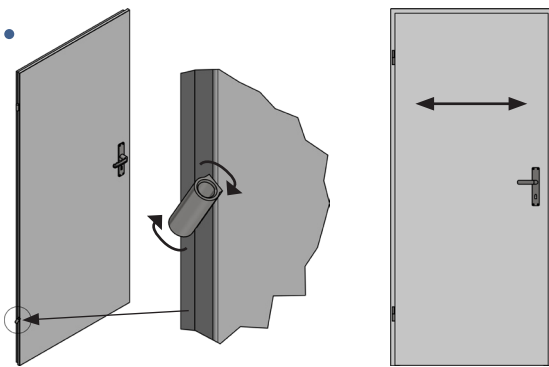
As a first step, please use a credit card or similar to check the correct setting of your door. To do this, try to insert the card between the door leaf and the door seal at five different points (see drawing). If the card can be inserted easily and without great resistance, please carry out the following steps to adjust the door. The door is correctly aligned when the card starts to stay put between the door leaf and the door seal at all five points. Only when this is the case, soni PORTA will achieve maximum acoustic effectiveness.

2.



If the gap between the door seal and the door leaf is too wide, you can use a screwdriver or an Allen key to insert the frame-side hinge part deeper into the frame. To do this, first un hinge the door leaf. Adjust the hinge position until the credit card does start to stay put when inserted.

3.

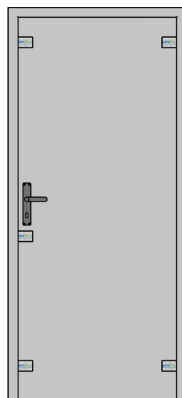


If the door leaf is positioned at a slight angle in the frame, it can be adjusted by turning the hinge(s) accordingly.

If you want the door leaf to tilt more towards the lock side, turn the upper hinge counterclockwise. Turning the hinge clockwise raises the door leaf on the lock side.

Practical tip: For easy turning, insert a screwdriver/ Allen key into the hinge.

4.



Please continue the adjustments according to steps 2 and 3 until the credit card stays put at all five test points. Only if this is the case, the door is installed correctly and with maximum acoustic insulation effect.

PLEASE SEE OUR PROCESSING AND STORAGE INSTRUCTIONS

Details and values given in this leaflet are average values and have been compiled with care. They are not binding, however, and Cellofoam International GmbH & Co. KG disclaims any liability for any damages and detriments, also in connection with any third party's rights. The information given does not release the buyers from making the necessary experiments and tests themselves. Subject to technical changes. For updates please go to our website.

Cellofoam International GmbH & Co. KG
Business unit soniflex
P: +49 7351 340 28 61
sales@soniflex.de / www.soniflex.de

Distribution partner for Switzerland:
soniflex Switzerland
P: +41 44 377 60 50
einkauf@soniflex.ch / www.soniflex.ch